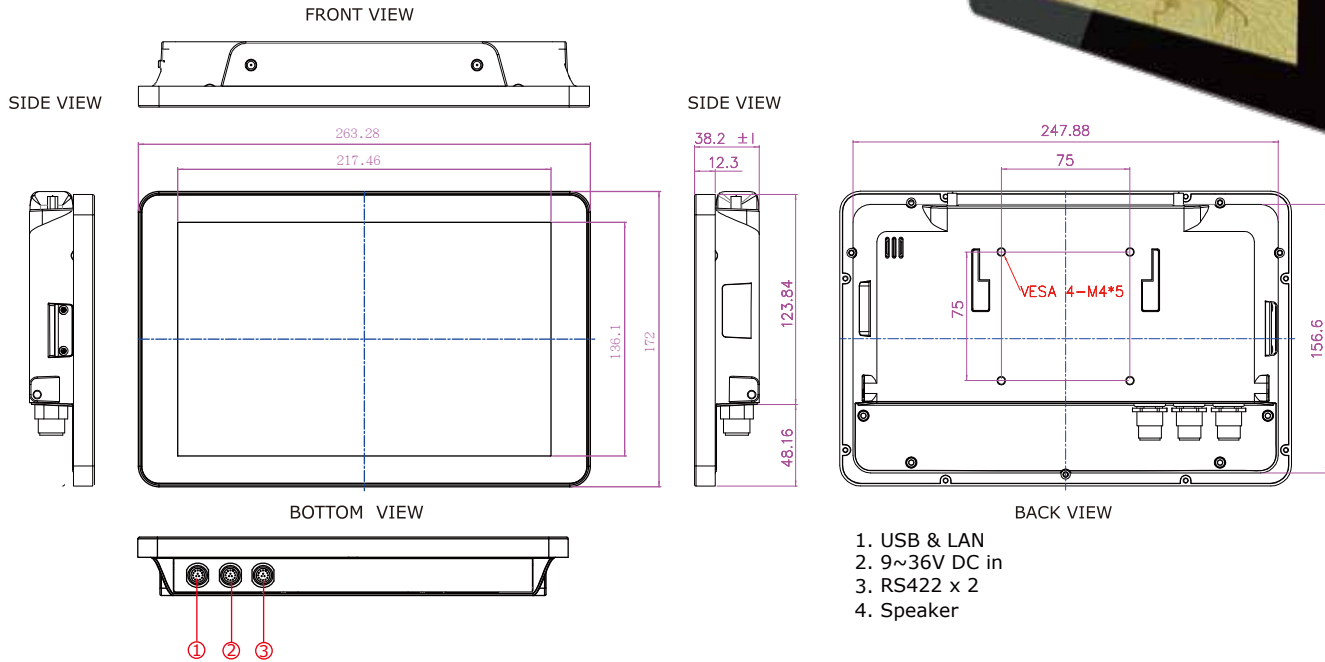


10.1" Flat Panel PC - W10IB3S-MRH2

Features

- 10.1" 1280 x 800 Resolution with P-Cap Multi-touch Screen
- Low-Power System with Intel® Celeron® N2930 Processor
- Fanless Cooling System and Ultra-low Power Consumption
- Front IP65 / Full IP44 Water and Dust Proof
- Compliance with IEC60945
- Special M12 Connector design



Specifications

System :

- Processor : Intel® Celeron® Bay Trail-M N2930 1.83GHz
- System Chipset : Intel® ATOM SoC Integrated
- System Memory : 2GB DDR3L 1066/1333 SODIMM
- Storage : 64GB mSATA SSD
- Wifi (optional) : 1 x 802.11 AC
- WWAN (optional) : 3G (HSPA+, GSM/GPRS/EDGE)
- GPS (optional) : Built-in Neo-6 GPS module

Input / Output :

- Serial Ports : 2 x RS422
- USB Ports : 1 x USB 2.0
- Ethernet : 1 x RJ45
10/100/1000 LAN Support PoE function
- Speaker : 1 x 1 Watt Speaker

Display Spec :

- Size/Type : 10.1" TFT (Wide screen)
- Resolutions : 1280x800
- Brightness : 300cd/m (typ.)
- Contrast Ratio : 800 : 1 (typ.)
- Viewing Angle : -89~89(H); -89~89(V)
- Max Colors : 262K(6bit)
- Touch : Projective-Capacitive Touch

Power Specifications :

- Power Input : 9~36V isolated DC IN

Mechanical Specification

- Cooling System : Fanless design
- Mounting : VESA Mount(75x75mm)
- Dimension (W x H x D) : 263.28 x 171 x 35.7 (mm)
- Net Weight : 1610 g
- Gross Weight : 2180 g

Environment Considerations :

- Operating Temperature : -15 deg.C to 55deg.C
- Operating Humidity : 5% to 95% (non condensing)

Security Support :

- Trusted Platform Module (TPM 1.2)

OS/BSP Driver Support :

- Operating System : Windows 10 IoT Enterprise
Windows Embedded 8.1 Industry Pro
Windows Embedded 8 Standard
Windows Embedded Standard 7

Certification :

- Compliance with IEC60945

Software :

- Utility : "HotTab"-hotkeys Functions tool